

# THE MOST INNOVATIVE DUAL SOLUTION ULTRA-STARTER + GPU Lite

**WE FIRST LISTEN TO YOU...  
TO THEN REDESIGN THE FUTURE**



Our main goal is always offering the best Ground Support Equipment to all of our customers, being able to quickly adapt our solutions to any specific need from the wide spectrum of operators worldwide.

**ENERCRAFT** is pleased to report the success of the final testing of our unique Dual Solution, combining the best of our Ultra-Starters and the best of our GPUs Lite.

## READY FOR ORDER!

- ✓ A unique Dual Connector (2 x 3 PIN NATO AN2551).
- ✓ Two separate and easily portable **ENERCRAFT** units.
- ✓ Use them together, or individually.
- ✓ Optimize you Ground Support Operations, minimizing costs.

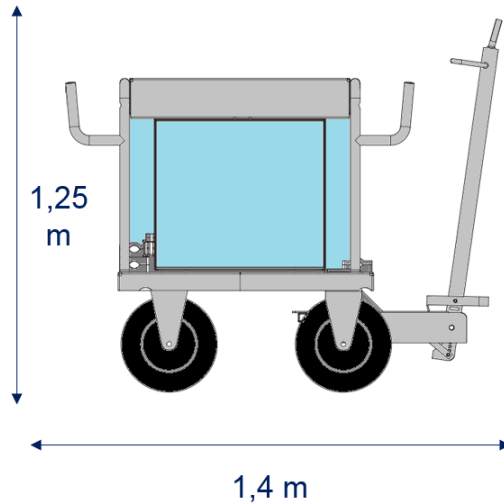
## FEEL FREE TO COMBINE THEM ALL

ULTRA-STARTER 28V	UST-2030 (20 Ah)	UST-4030 (40 Ah)
Weight	13 kg	25 kg

GPU Lite 28V	35 Amp	70 Amp	130 Amp	250 Amp	500 Amp
Weight	7 kg	9 kg	10 kg	13 kg	17 kg

# ENERCRAFT DUAL SOLUTION POSITIONING

## Competitor



COMPETITOR	Specification	ENERCRAFT
400 - 600 Amps	<b>DC OUTPUT</b>	500 Amps
28V @ 2000 A	<b>Engine Start</b>	28V @ 2600 A
1	<b>Units</b>	2
<b>NO</b>	<b>Can serve 2 aircraft</b>	<b>YES</b>
<b>NO</b>	<b>Portable on board</b>	<b>YES</b>
<b>240 Kg</b>	<b>Weight</b>	25 + 17 = <b>42 Kg</b>



## TRY OUR DUAL SOLUTION WITH 2 x ULTRA-STARTERS

### INCREASE YOUR ENGINE STARTING CAPABILITIES

Please, remember that you have full flexibility to combine any of the **ENERCRAFT** units, also two Ultra-Starters if you have a specific requirement and you need additional peak current for starting an unusually powerful engine, or to perform other operational activities, as carrying out compressor washes.



## TRY OUR DUAL SOLUTION WITH 2 x GPUs Lite

### INCREASE YOUR GPU CAPABILITIES

Please, remember that you have full flexibility to combine any of the **ENERCRAFT** units, also two GPUs Lite if you have a specific requirement and you need additional continuous power for your maintenance or operational tasks.



**Enjoy the freedom to work with no limitations**

NORTH AMERICA & THE CARIBBEAN  
CONTACT:

**ASG LTD**

AERO SUPPORT GROUP  
*honest dedicated service you can trust*

clientcare@asgltld.ca

[www.asgltld.ca](http://www.asgltld.ca)